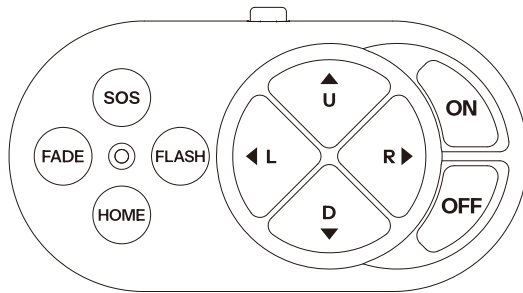


## REMOTE CONTROL



### Key Function:

- ON: Turn on    OFF: Turn off  
R: Right    D: Down  
L: Left    U: Up  
FLASH: Flashing function  
HOME: Reset function  
FADE: Gradually brighten and dim function  
SOS: SOS function

### Remote Control Code Matching Setting

1. The remote control and searchlight in the same group have been successfully paired and can be used immediately without any additional settings.
2. To pair a new remote control, follow these steps: First, turn off the power to the searchlight, then turn it back on after 10 seconds. Within 60 seconds of restoring power, press and hold the ON button on the remote control for 10 to 30 seconds. If pairing is successful, the searchlight will flash three times, indicating that the code has been matched and the remote control is ready for use.

### Notice:

1. If the wireless remote control battery is low, the device will stop responding, and the indicator light will not illuminate when buttons are pressed. Please replace the battery.
2. Battery specifications: CR2032 3V.
3. Due to slight variations in the speed of each motor, the reset origin position may vary within  $\pm 8^\circ$ .

### Warning:

1. The searchlight's motorized rotation is automatic. Do not manually twist or forcibly adjust the unit.
2. This searchlight is compatible only with the manufacturer's remote control. Do not tamper with the light or attempt to operate it with a remote control from another manufacturer.

# SEAFLO<sup>®</sup>

## Remote Control LED Searchlight Instructions



## DESCRIPTION

SEAFLO searchlights can perform omnidirectional, multi-angle, and long-distance lighting tasks. They can rotate 360 degrees horizontally and 60 degrees vertically. Equipped with a remote control and multifunction settings for user convenience, these searchlights are ideal for mariners locating buoys, moorings, channel markers, and more.

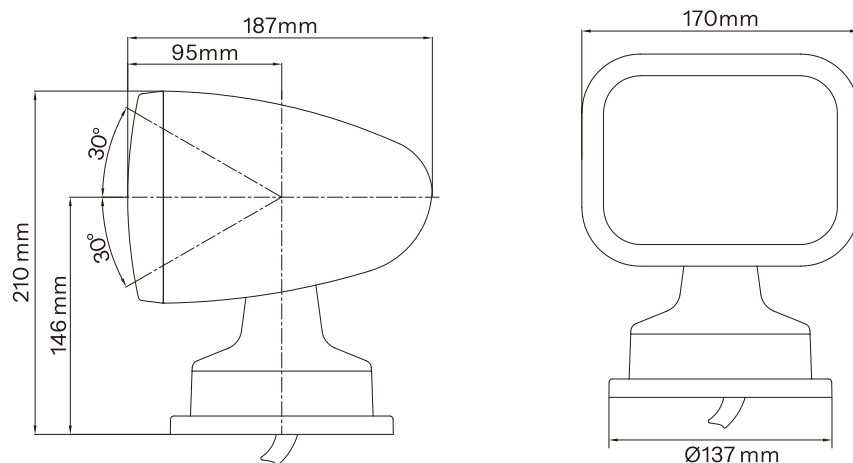
## FEATURES

- 360° Horizontal rotation
- 60° Vertical sweep
- 2700LM super bright LED light source
- 300-400 Meters beam distance
- IP65 waterproof rating
- Remote control and 15ft / 4.6m cable included
- ASA material, corrosion-resistant, oxidation-resistant
- Long service life
- Easy installation

## SPECIFICATIONS

Model	Control Type	Housing Color	Color Temp	Light Source Type	Voltage	Power	Brightness	Rotation Angle (degrees)
SFSL-2700W-01W	Wired remote	White	White light 5500K	LED	10-30V	28W	2700Lumen	Up and down 60° rotation, left and right 360° rotation
SFSL-2700W-01B		Black						
SFSL-2700Y-01W		White	Warm light 2700K					
SFSL-2700Y-01B		Black						
SFSL-2700W-02W	Wireless remote	White	White light 5500K					
SFSL-2700W-02B		Black						
SFSL-2700Y-02W		White	Warm light 2700K					
SFSL-2700Y-02B		Black						

## DIMENSIONS



## INSTALLATION INSTRUCTIONS

### Light mounting

1. The searchlight must be mounted on a flat smooth surface for optimal use. Keep the light away from locations where sails, line anchors or other dangers might cause damage to the light. You will need access to the underside of the location chosen and that location needs to be drilled. Please ensure that no wires or other structures are present where the screws need to be drilled into.
2. It is best to mount light as far forward and as high as permitted in order to minimize glare.
3. Using the matching searchlight support installation template (supplied), drill 3 mounting holes and 1 center hole in the middle of the mounting surface for cable routing.
4. Please position the circular mounting gasket on the base of the light while ensuring that the wire harness exits through the center hole in the gasket.
5. Lead the wire from the base of the light through the center hole of the mounting surface. A sealant can be applied to the pilot holes and around the wire harness that penetrates the mounting surface.
6. Secure the light on the mounting surface with the arrow on the light base facing forward. Align the three holes in the light base and the mounting gasket with the three corner holes drilled into the mounting surface.
7. Fasten the searchlight securely using screws.
8. Connect the searchlight to the cable (supplied).
9. Wire Connections: Connect the positive lead (+) of the power lead (supplied by customer) to the red wire and the negative lead (-) to the black wire.

### Wired remote control mounting

1. Choose a location for the main control near the helm which will allow convenient operation.
2. Use the matching remote control installation base (supplied) and drill 2 installation holes on the installation surface.
3. Secure the base with screws.
4. Secure the remote control to the base.
5. Connect the searchlight to the wired remote control cable.
6. Route power leads (supplied by customer) from the voltage source to the control unit.
7. Wire connections: Connect the positive lead (+) of the power lead (supplied by customer) to the red wire and the negative lead (-) to the black wire.

### Installation Base Template Diagram

